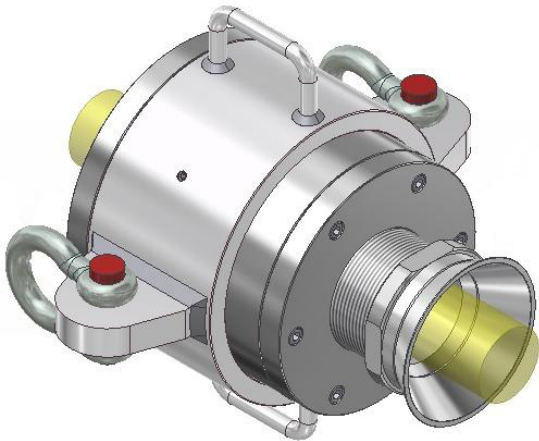




CableGrab

Getting to Grips with Subsea Umbilicals and Cables



CableGrab - the first subsea umbilical and cable removal tool offering a cost-effective method of retrieving umbilicals, power and telecommunications cables during field decommissioning operations.

The CableGrab tool works through the operation of patented Ballgrab® ball and taper technology where grip strength increases in proportion to the load.

As the cable passes through the tool, the standard Ballgrab® gripper mechanism can be activated, penetrating the plastic sheath and gripping on the armoured wire of the cable.

Easy to Deploy and Operate

- The design of the CableGrab allows umbilicals and cables to pass right through the tool enabling the position of lift to be infinitely adjusted along the cable length.
- The tool is easily handled by ROV and has handles for the manipulator to aid deployment and retrieval.
- Pad eye interfaces on the lifting collar allow connection of the tool to lift lines via shackles.
- The lifting collar is free to rotate independent of the gripping mechanism allowing for rotation of the cable.
- Gripper blocks can be interchanged to suit a range of umbilical and cable sizes from one CableGrab tool.



CableGrab umbilical and cable removal tool gets a firm grip during testing.

CableGrab tools are available for:

**3" to 4" umbilicals and cables
with a SWL of 8Te.**

**For other umbilical and cable sizes
contact First Subsea.**

For more information on First Subsea visit www.firstsubsea.com

First Subsea
Lancaster
United Kingdom

First Subsea
Aberdeen
Scotland

First Subsea
Houston
USA

Energy Agencies
Western Australia

Tel: +44 (0) 1524 387 777
Fax: +44 (0) 1524 387 778
Email: sales@firstsubsea.com

Tel: +44 (0) 1467 629858
Fax: +44 (0) 1467 625864
Email: sales@firstsubsea.com

Tel: (832) 448-1240
Fax: (832) 448 1241
Email: sales@firstsubsea.com

Tel: 08 9332 9839
Fax: 08 9313 6442
Email: brianarnold@energyagencies.com.au